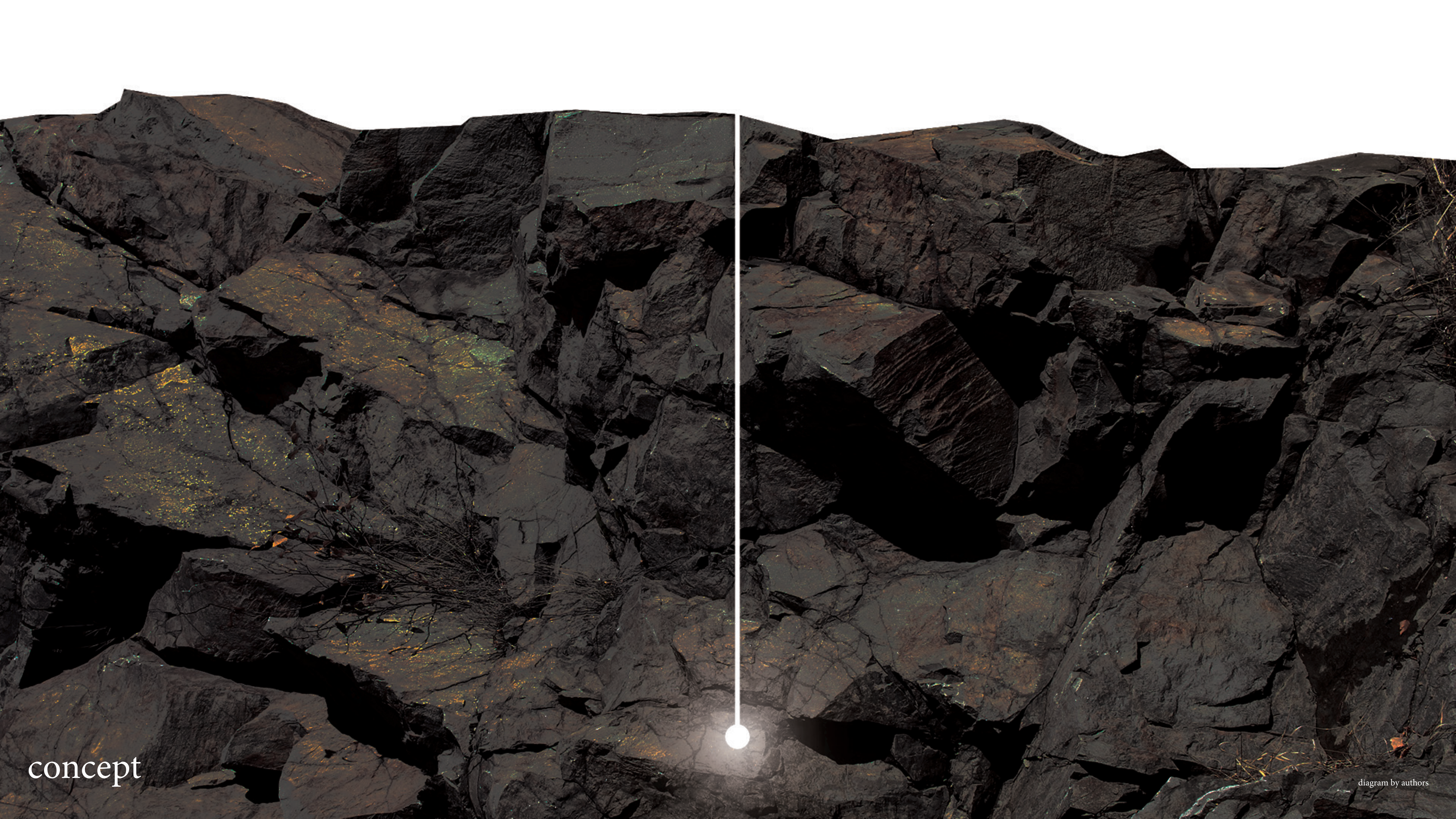




outcrop.

ARCH 5306 SNOLAB Proposal
Daniel Everett, Jennie Philipow, Miguel Veillette, Simao Da Silva



concept

diagram by authors



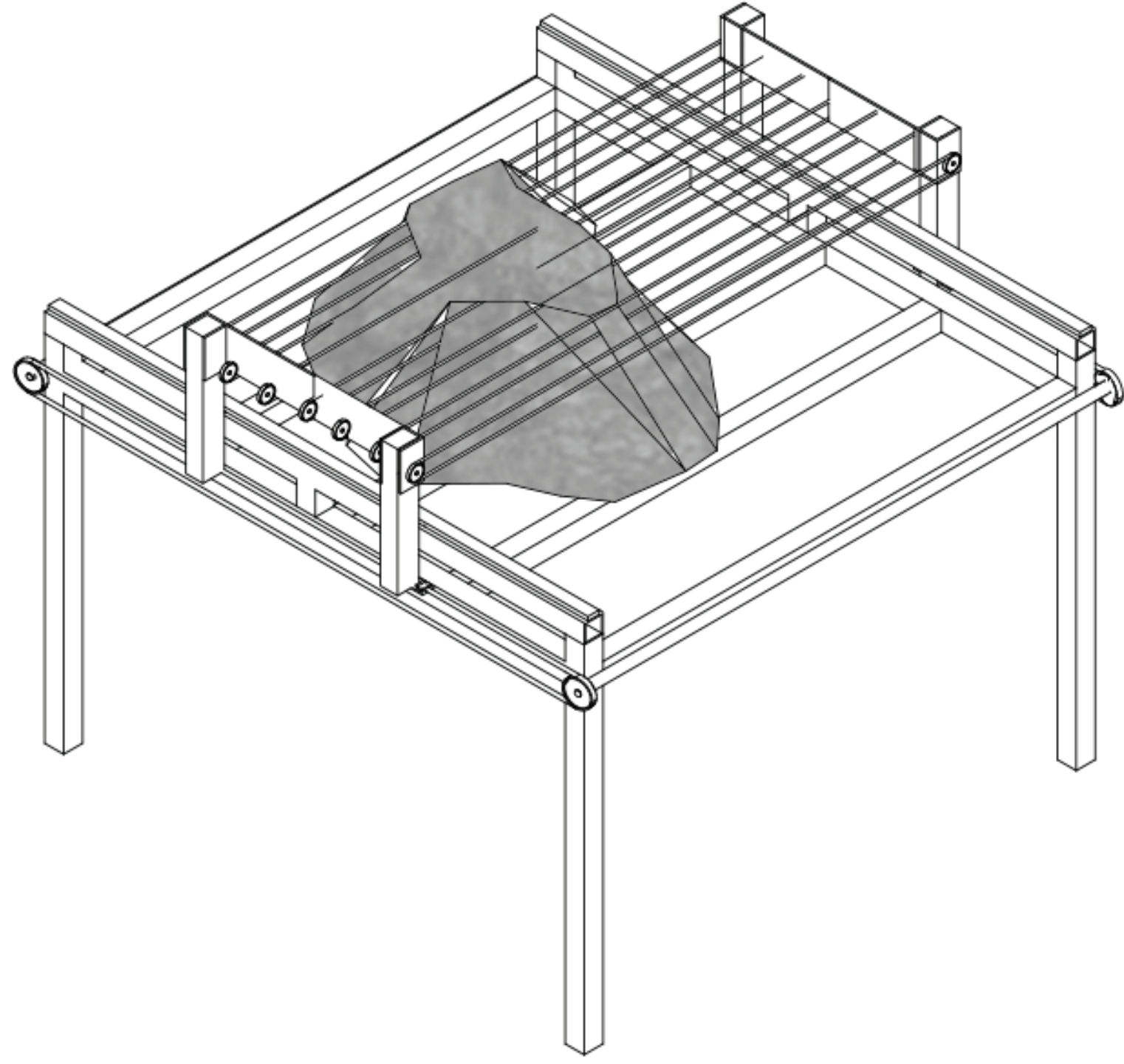
construction debris



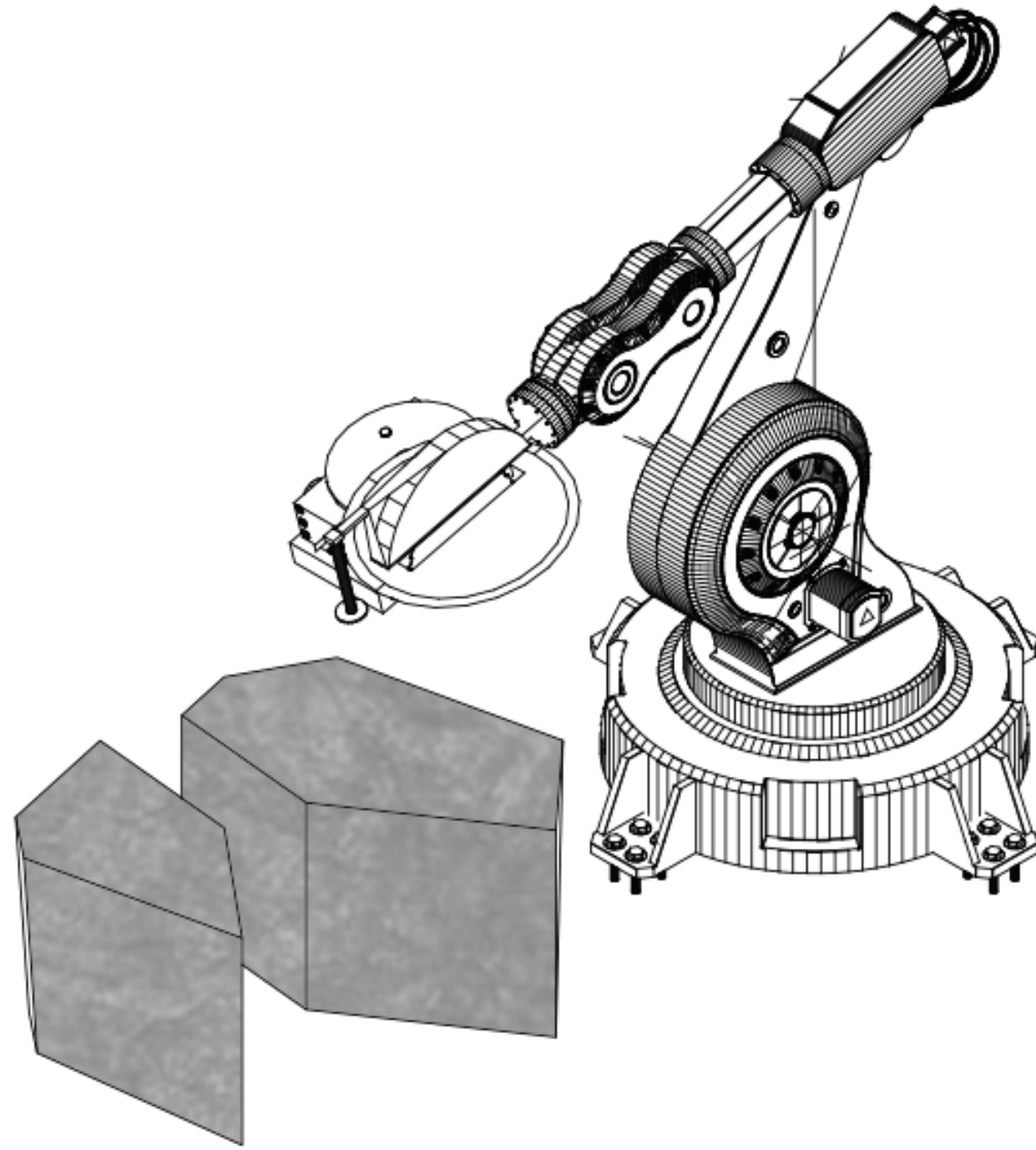
underground drilling



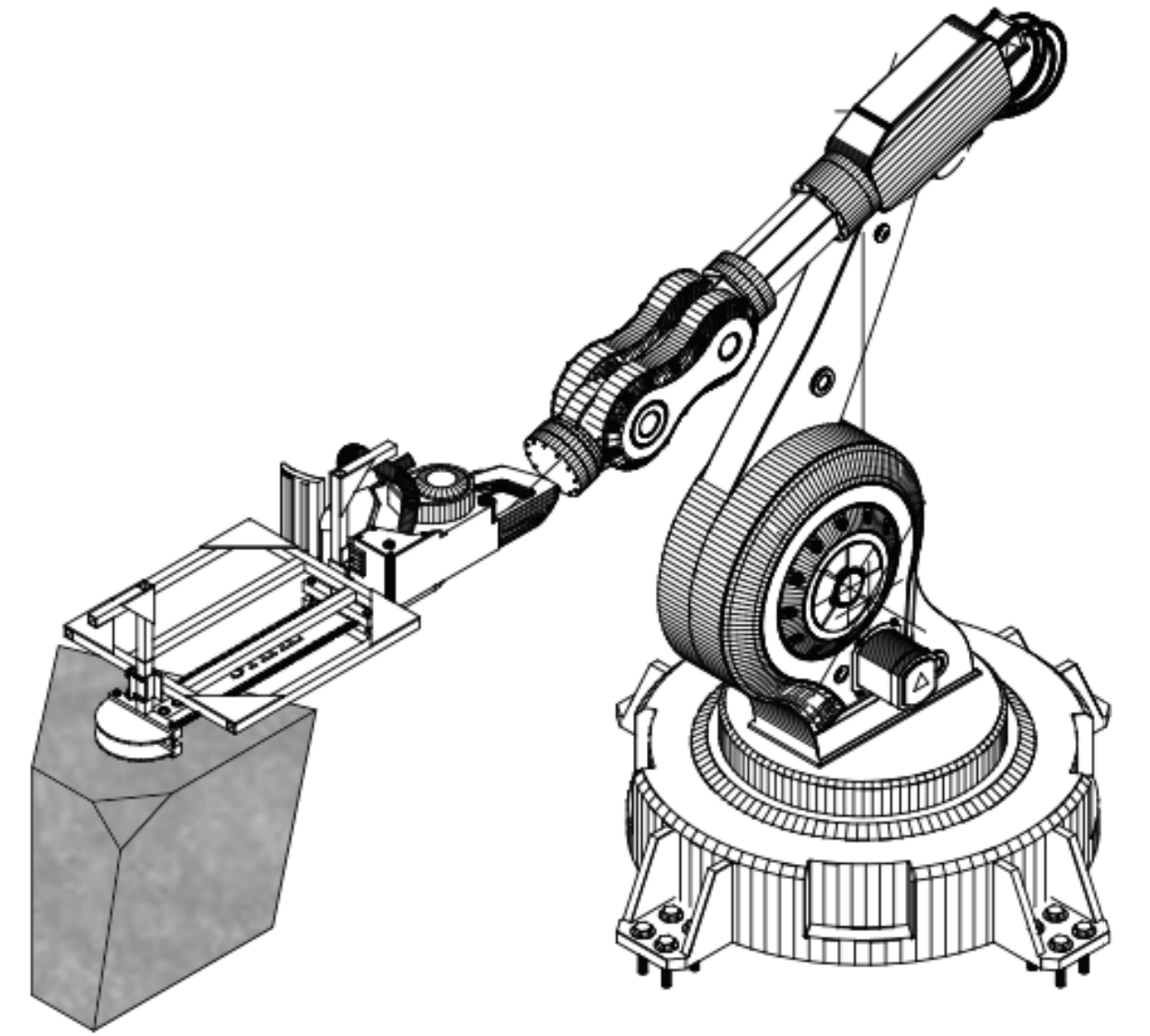
granite cnc



gang saw

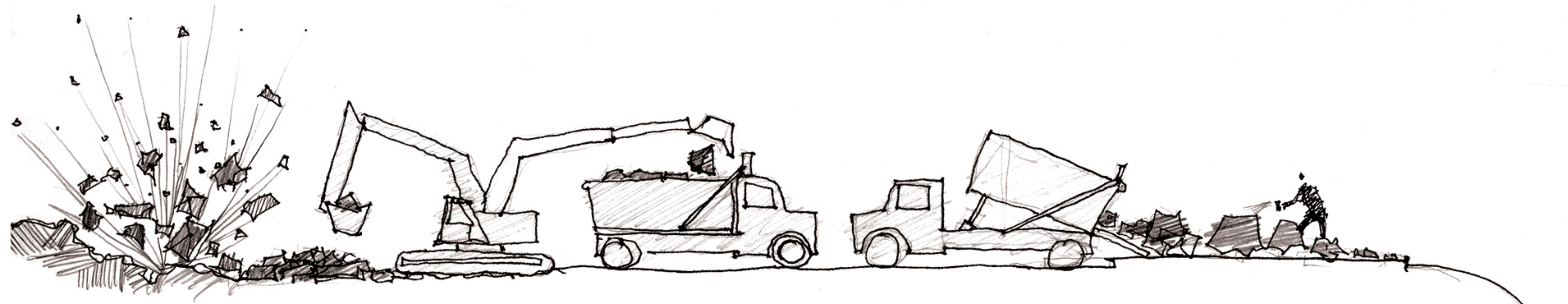


masonry saw



chainsaw

robot arm milling

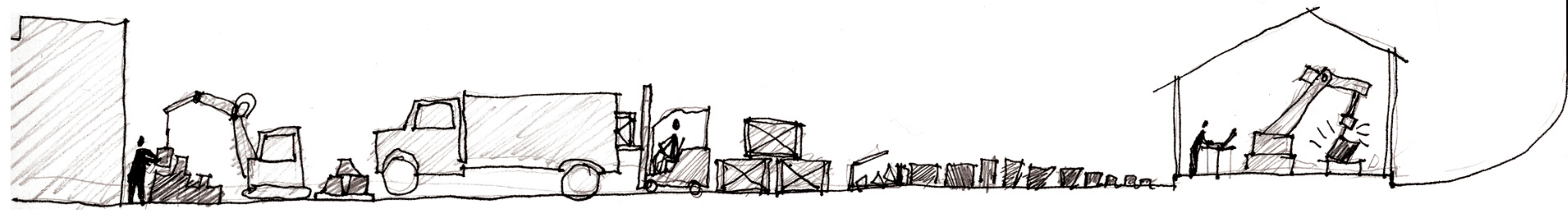


collection

selection

transportation 1

sorting 1



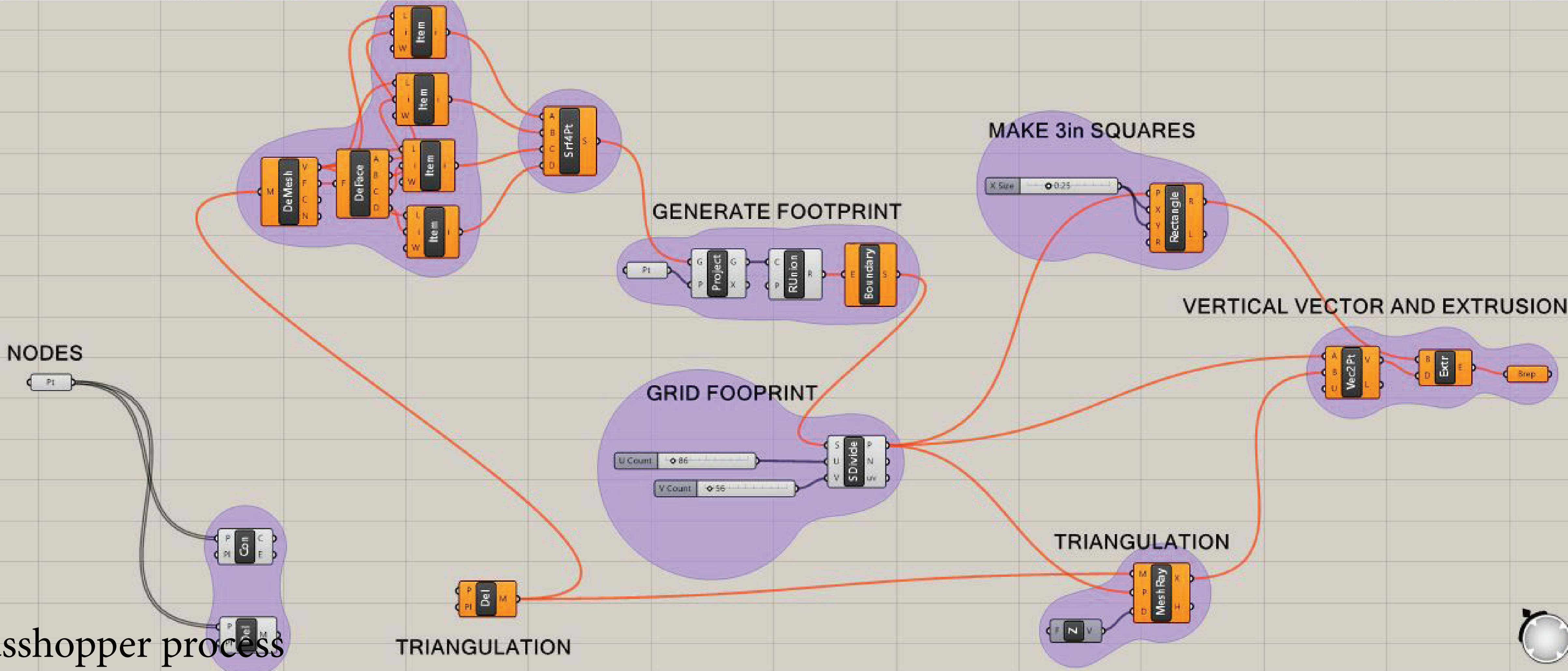
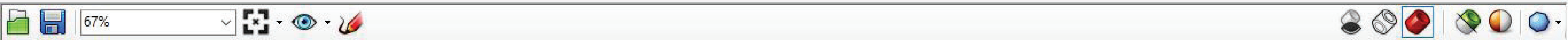
assembly

transportation 2

crating

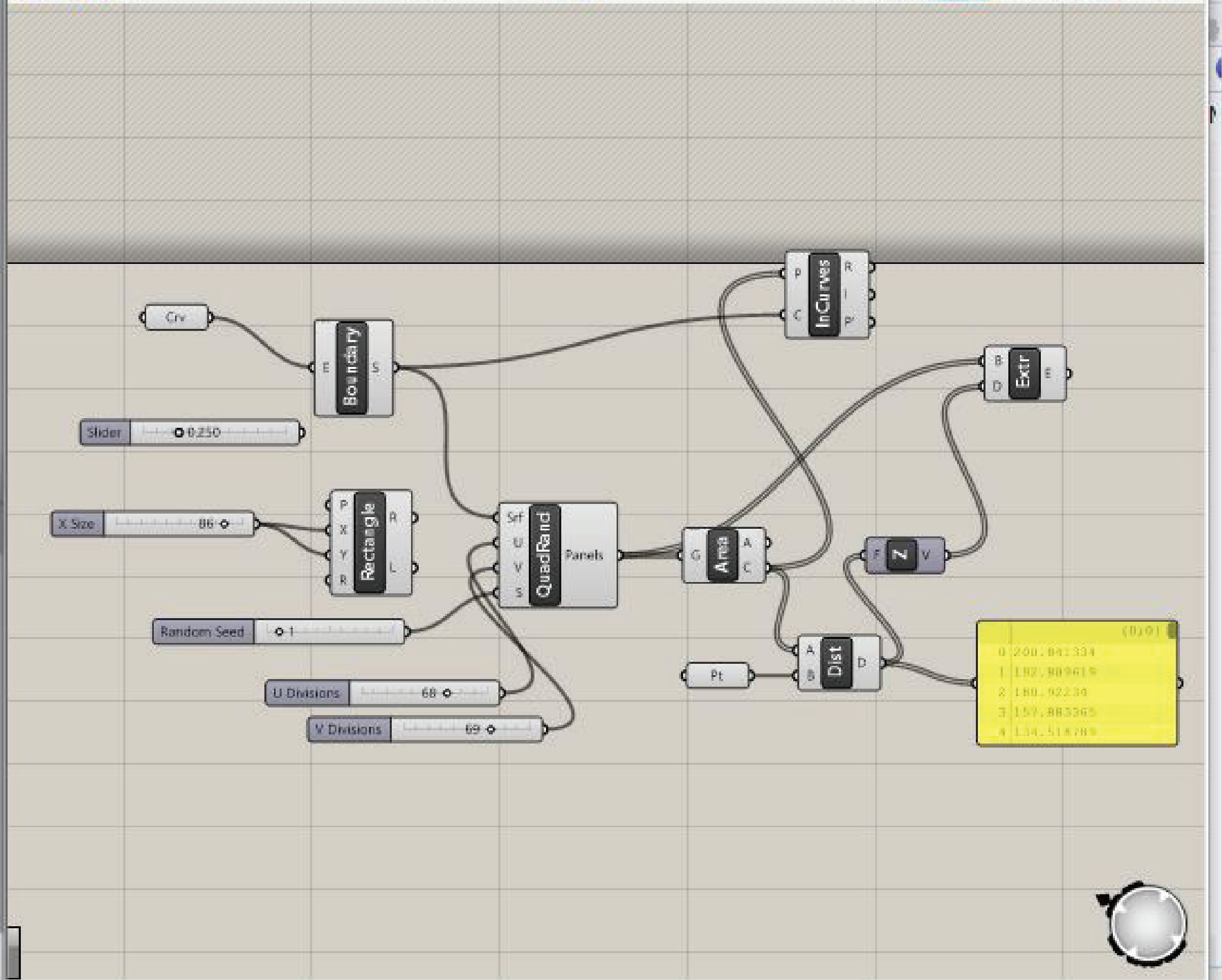
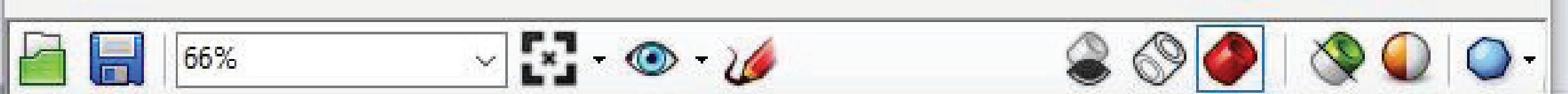
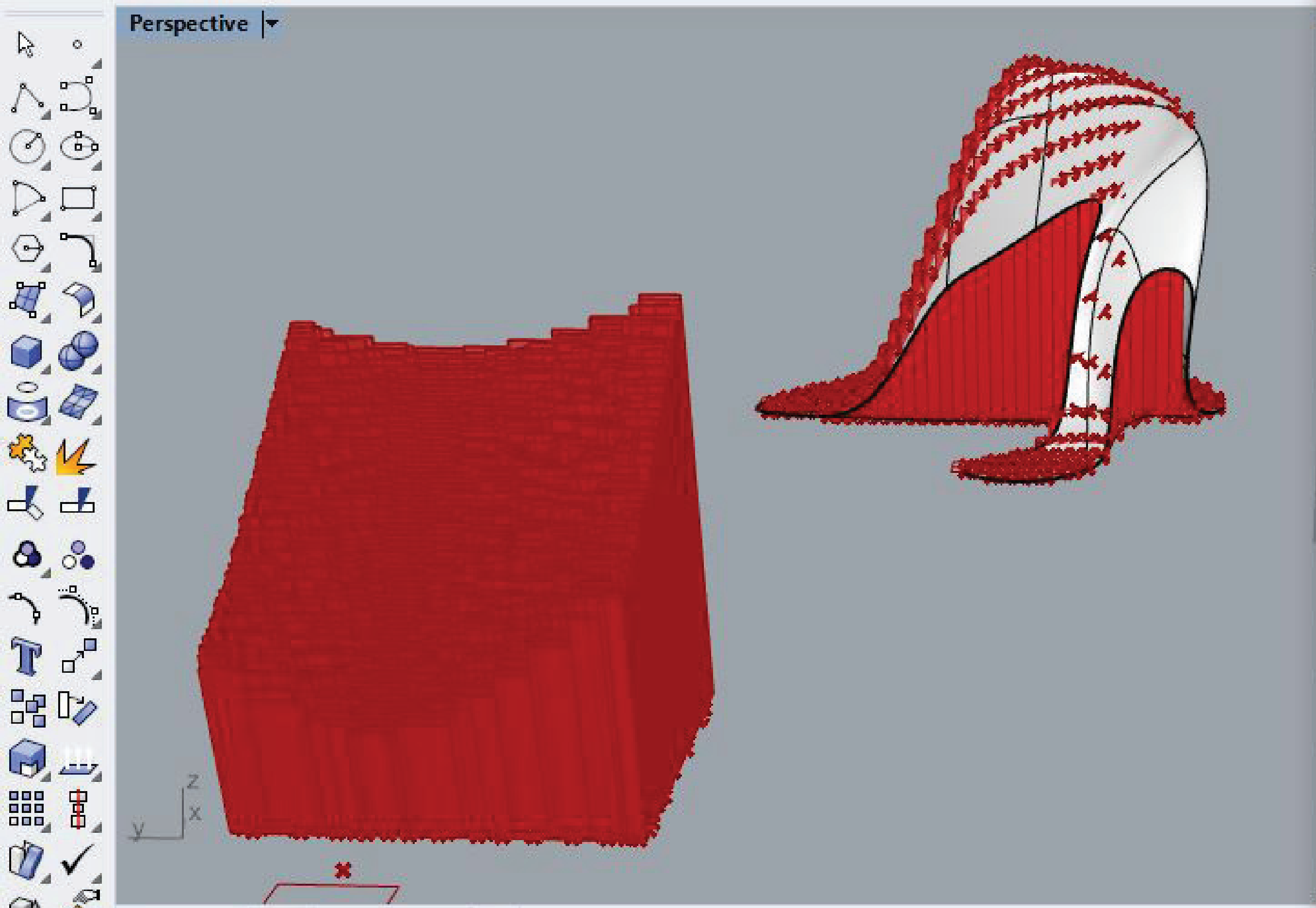
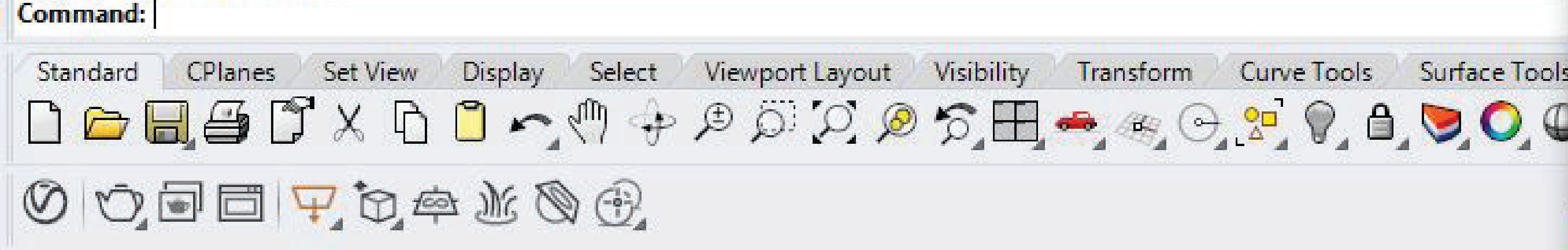
sorting 2

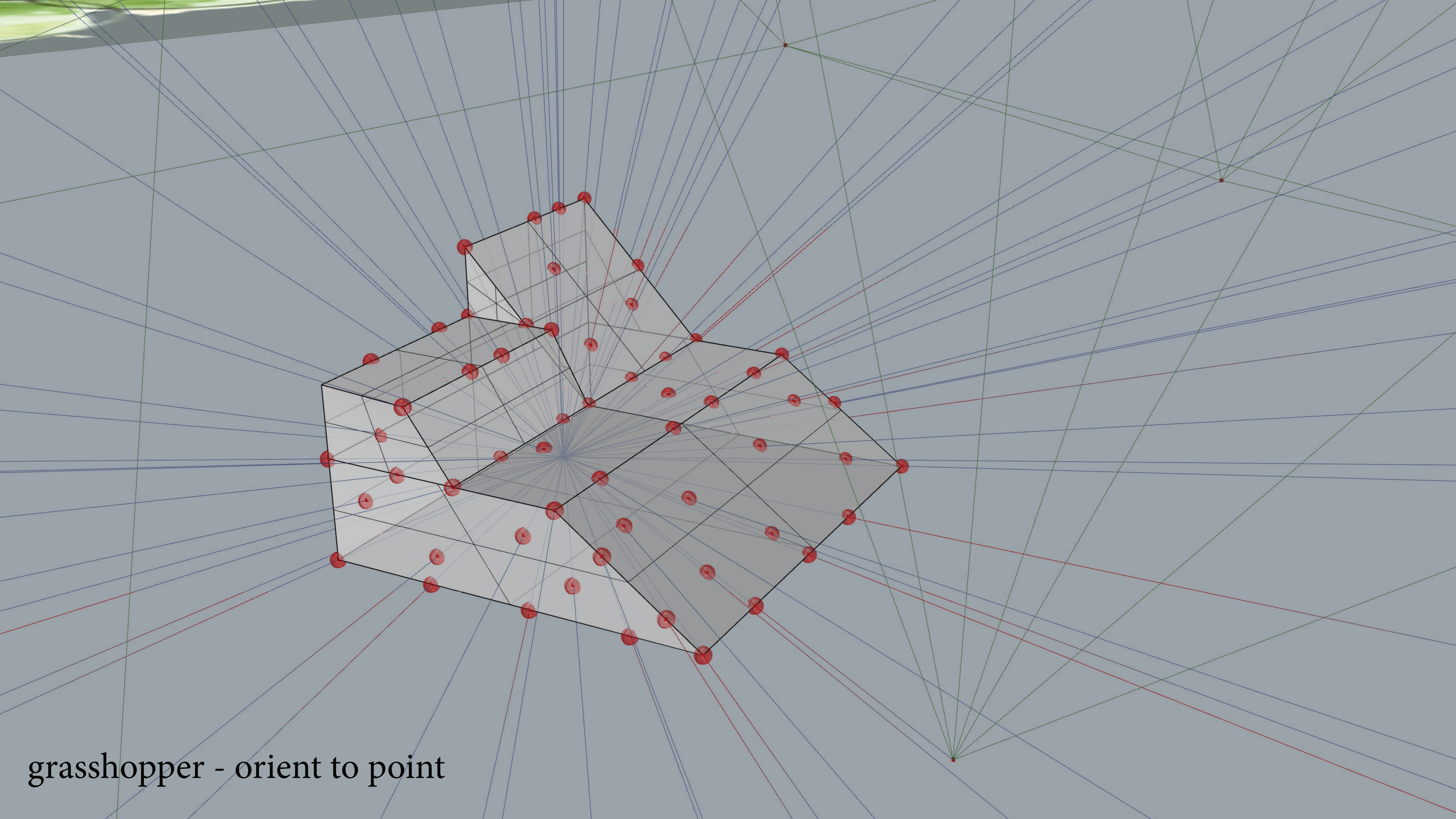
milling



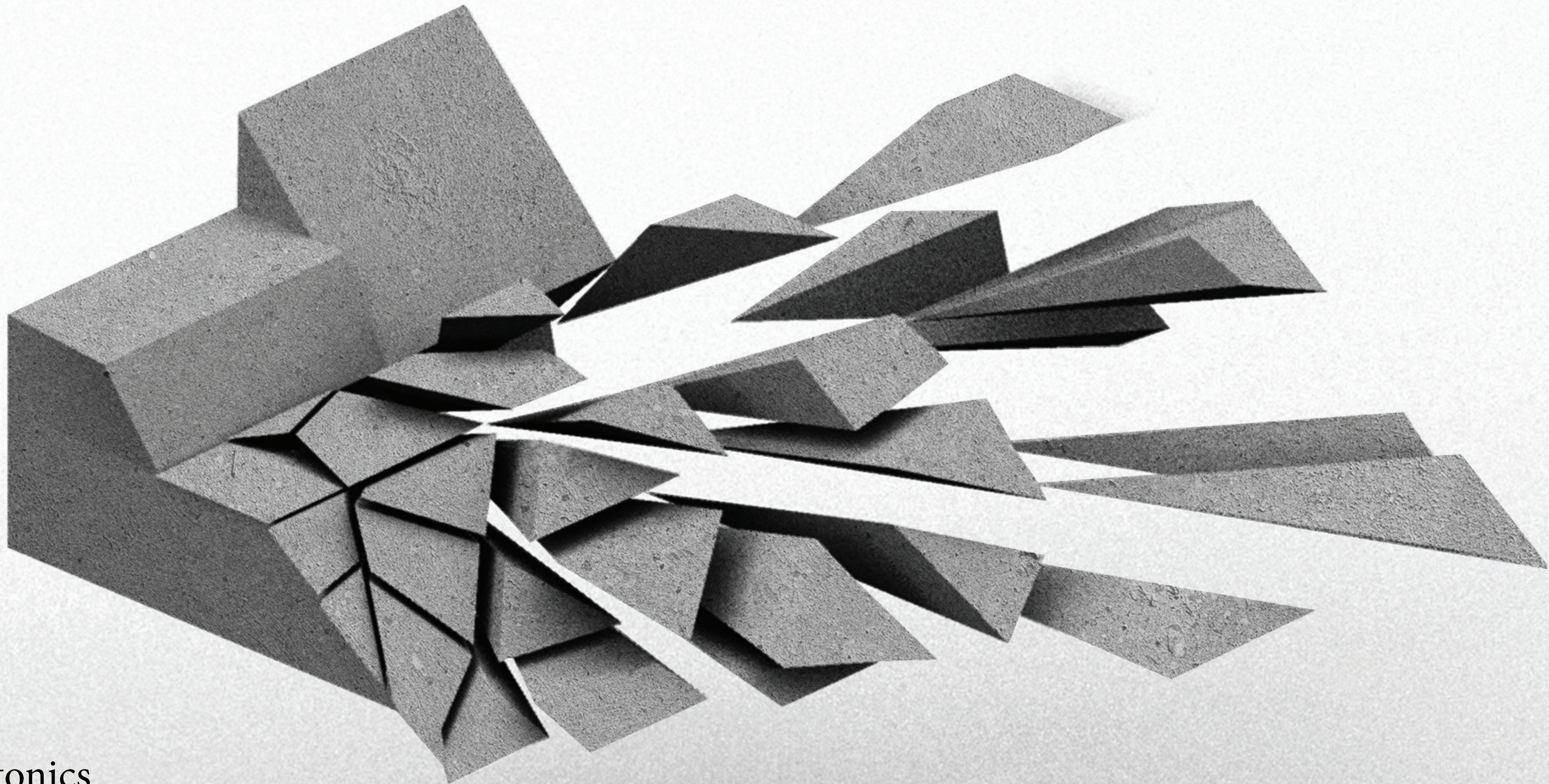
grasshopper process

Creating meshes... Press Esc to cancel
Display mode set to "Shaded".
Command:





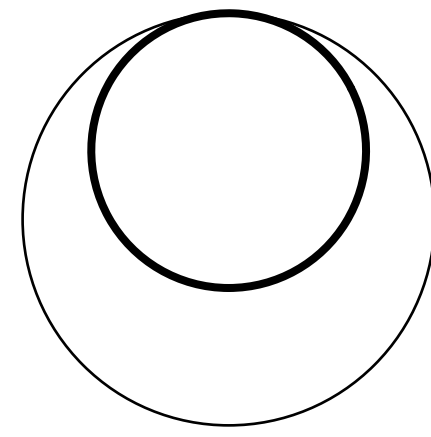
grasshopper - orient to point



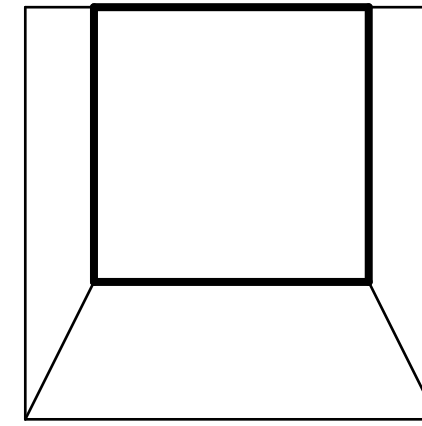
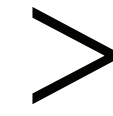
tectonics



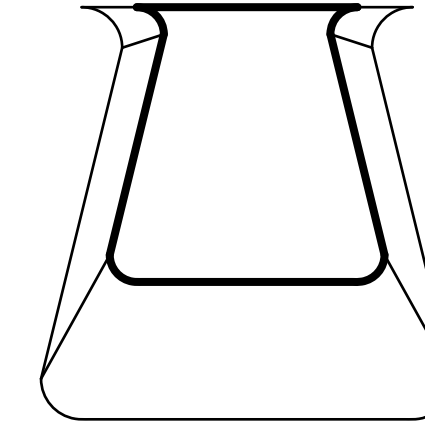
drill hole



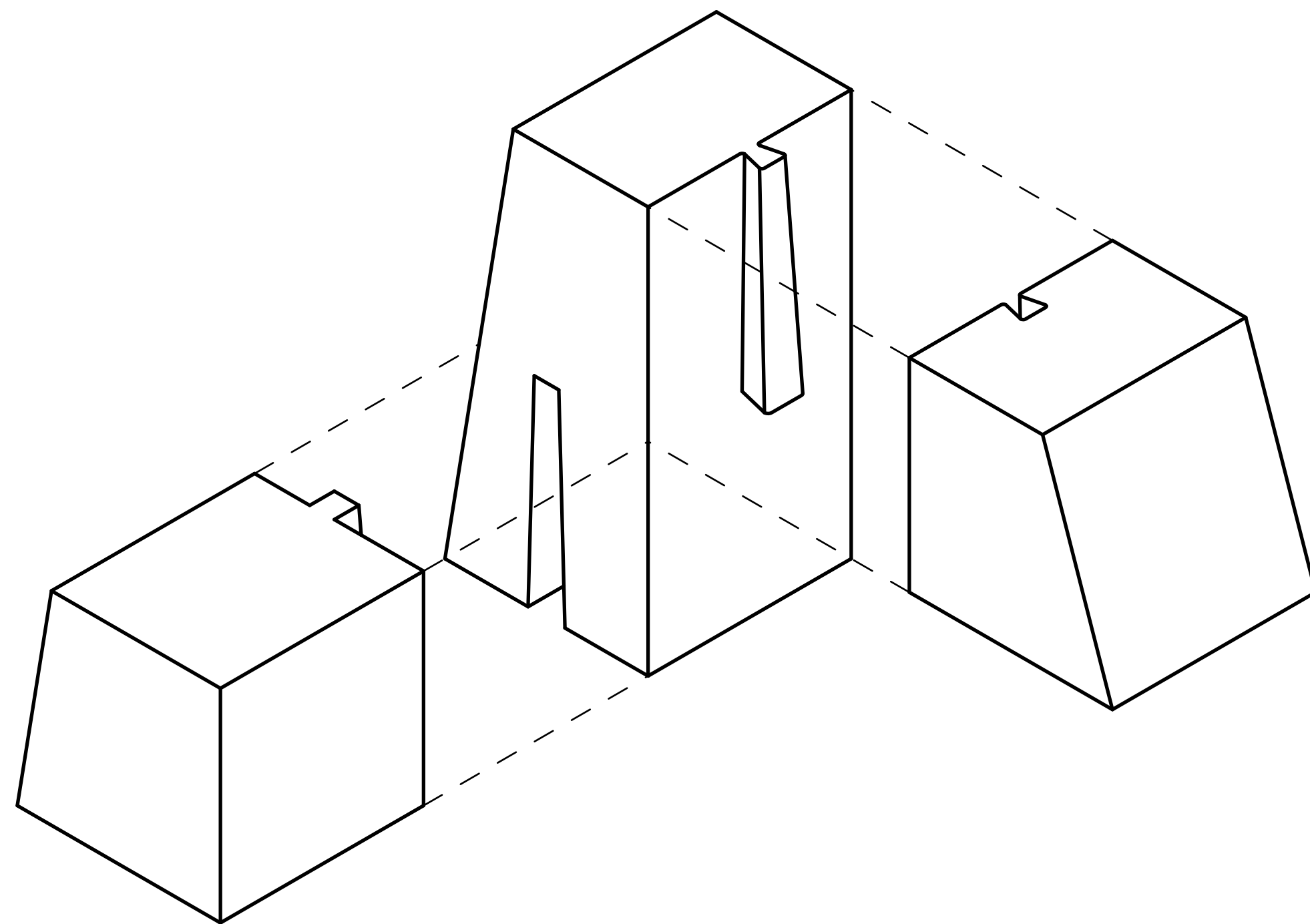
tapered tube connection



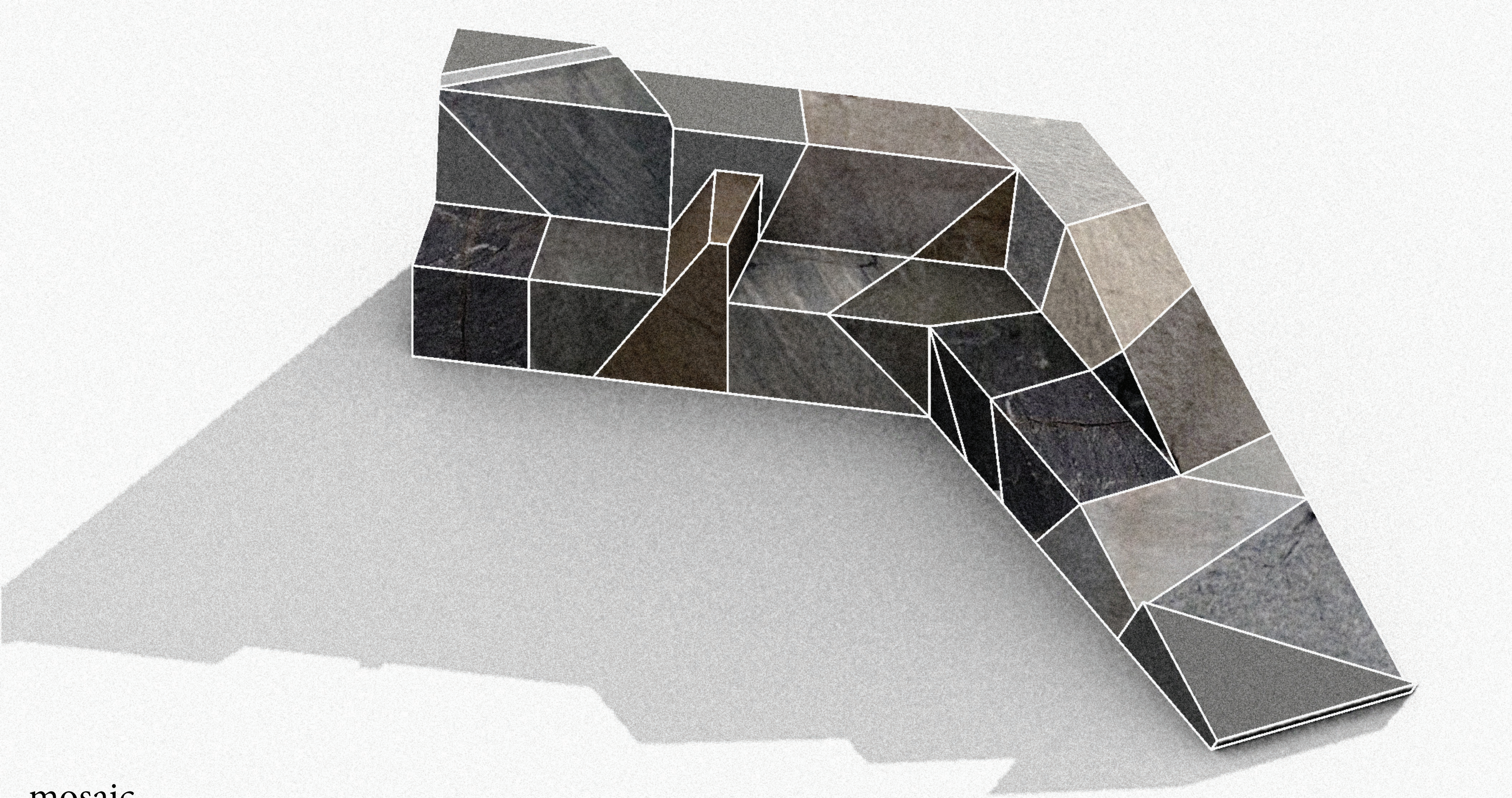
keystone connection



tapered dovetail



tectonics



mosaic



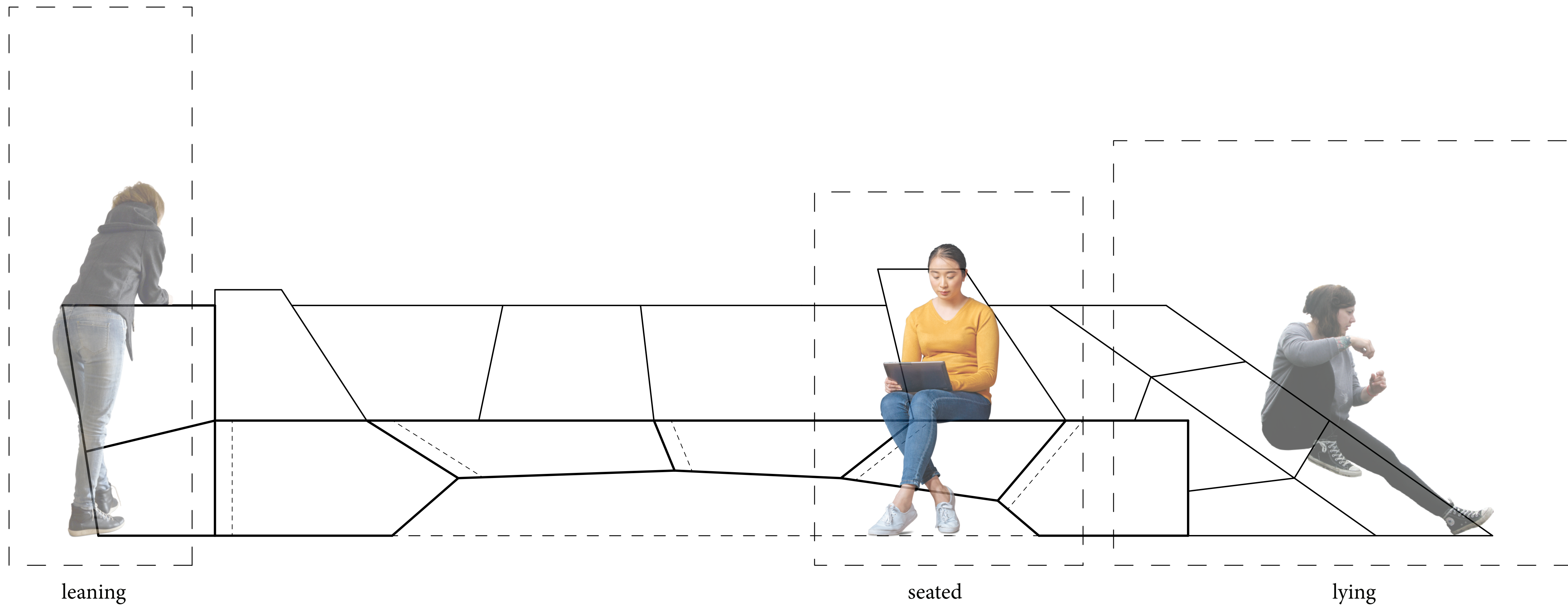
aging materials

photo by authors

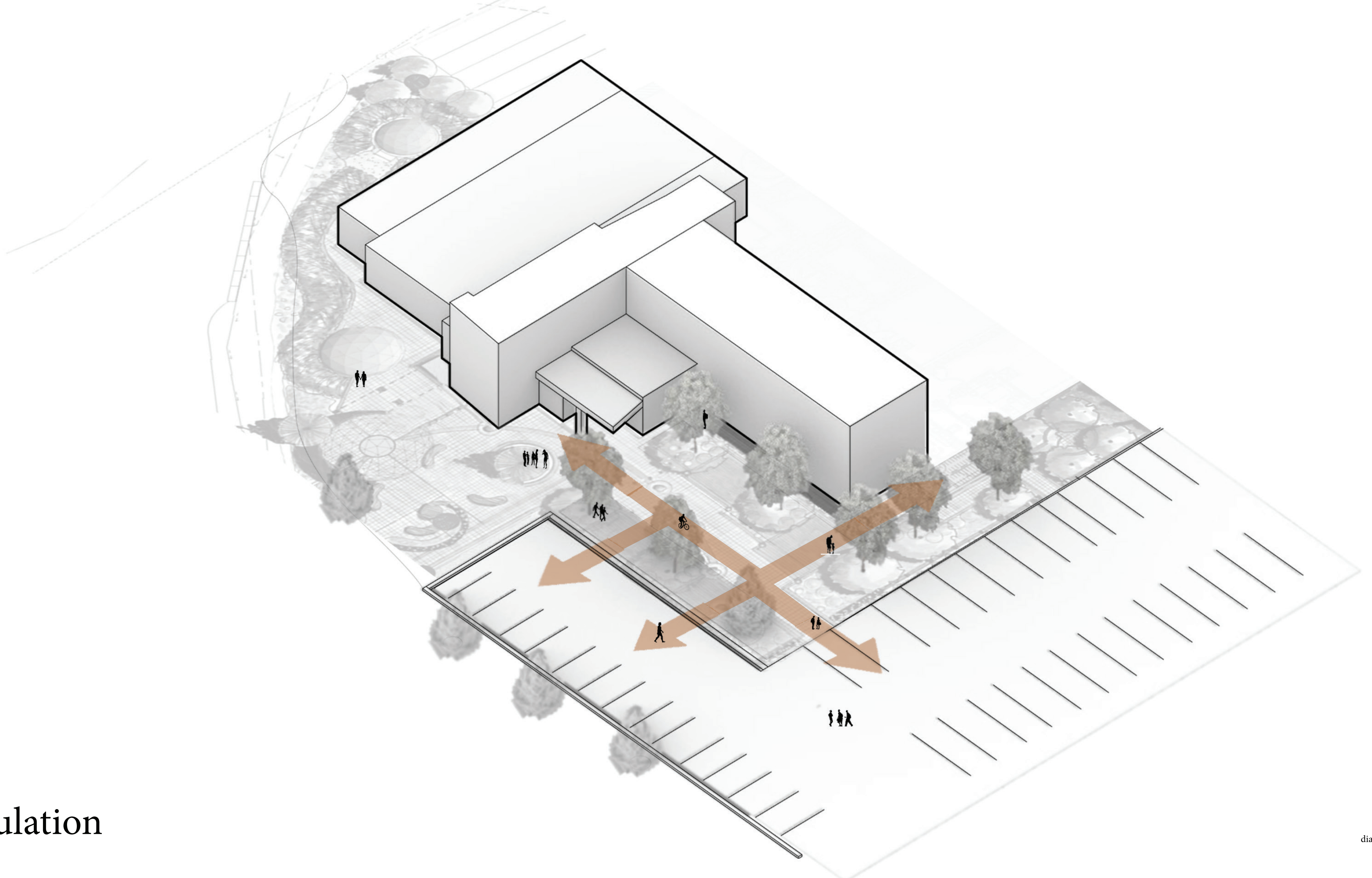


sensory

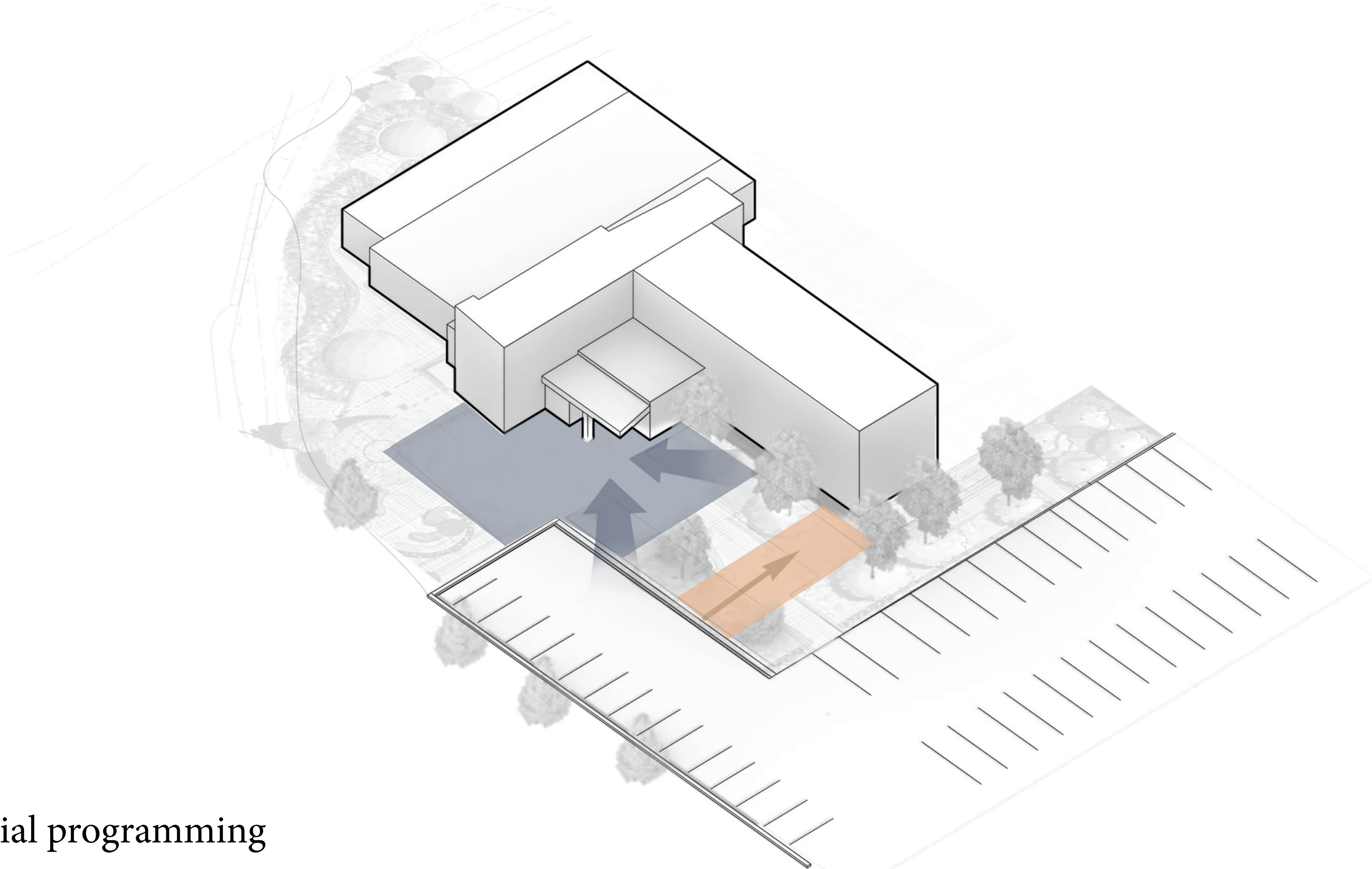
diagram by authors



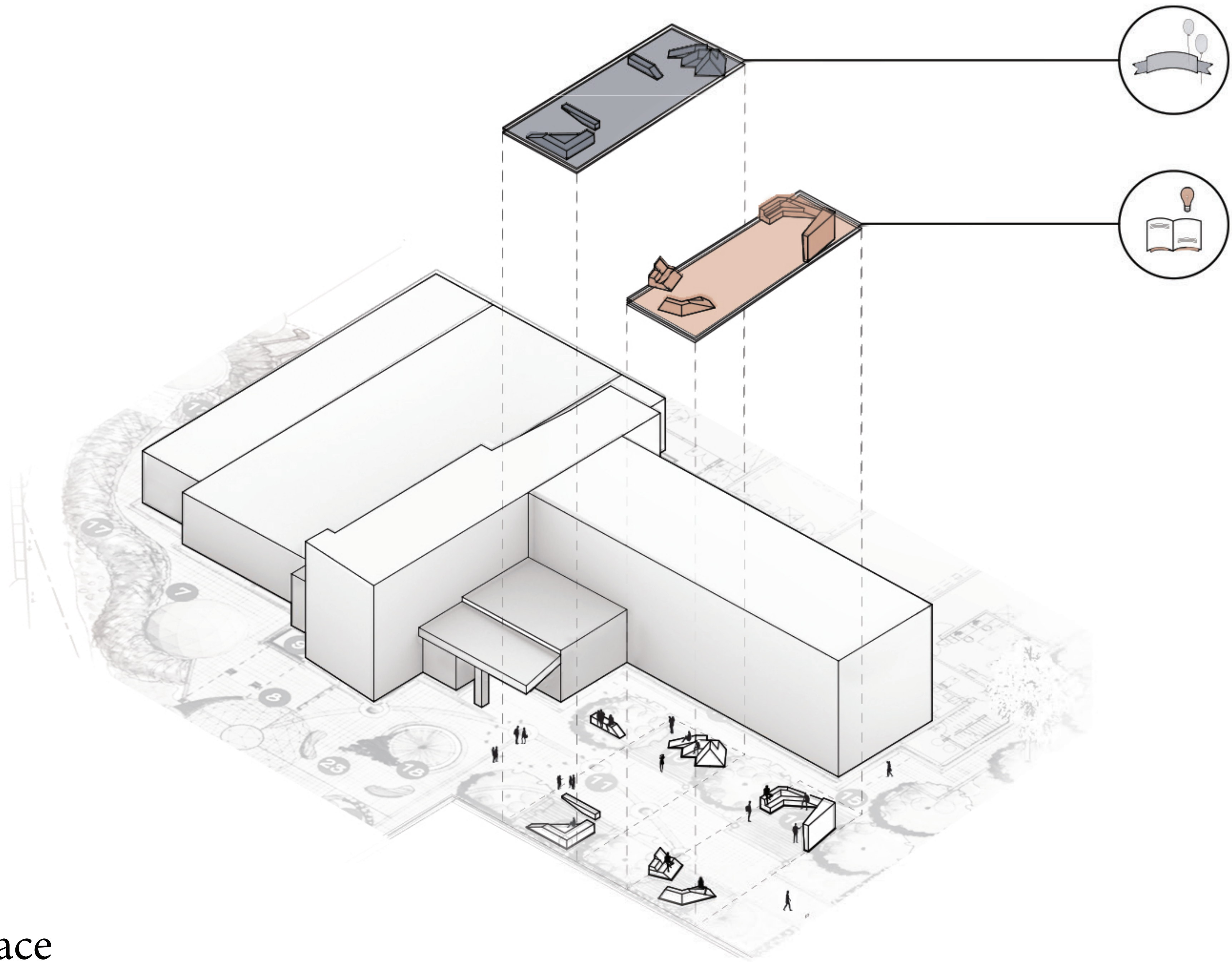
human scale



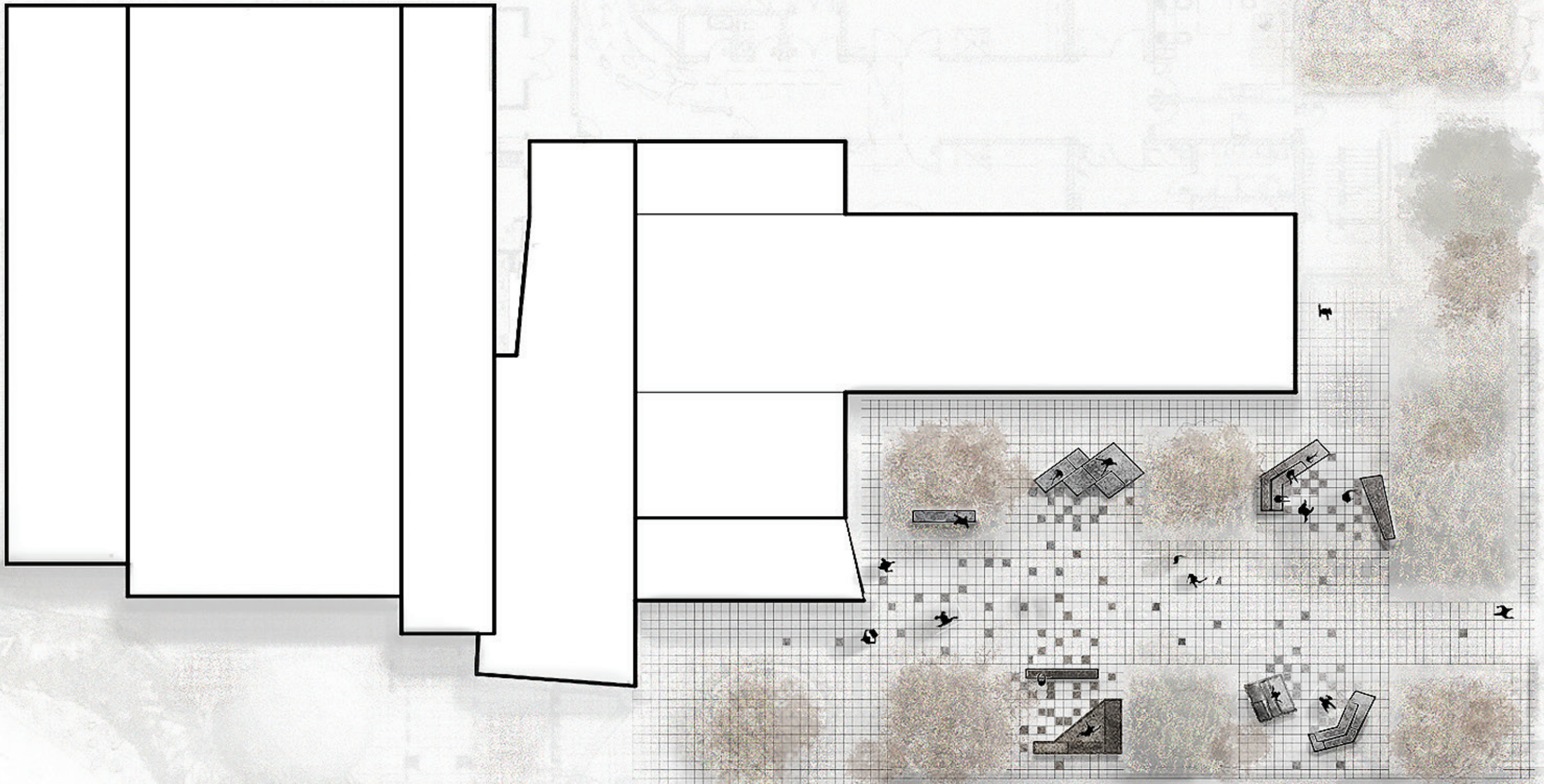
circulation



spatial programming



resultant space



site plan



gathering space



chalkboard



photos by authors



educational space